



The next generation of efficiency

GSS P Series Steam Sterilizers for Biopharma

GETINGE ✱

GSS P Series Steam Sterilizers help you improve efficiency and process flow. We work together with you every step of the way to give you the solution you need and can trust.

Your product is our priority

Setting a new standard

Reliable contamination prevention is essential in biopharmaceutical production. GSS P Series Steam Sterilizers help ensure product quality and a safe work environment, while making it easier for you to achieve high performance, maximum productivity and a streamlined process.

Getinge has a long history as a partner in the biopharmaceutical industry. By being part of your production, we can contribute to manufacturing cures that help improve people's health and save lives.

Wherever you are in the world, we deliver on stringent local requirements and regulations. You can count on dedicated support from planning, through full production to aftersales service.

Based on years of engineering excellence, the GSS P Series is a refined product combining design and innovation with a comprehensive approach to safe component and equipment processing.

Your production flow is our priority. The GSS P Series sets a new standard for steam sterilizers in your biopharmaceutical production.

With the GSS P Series as a foundation, a modular, flexible solution is designed to fit your production and improve efficiency.



Reliable

State-of-the-art design, secure process configuration, an intuitive interface and global service network are all part of the reason why the GSS P Series helps you eliminate unplanned production stops.



Safe

It is vital to protect both product integrity and staff in biopharmaceutical production. The GSS P Series is designed to optimize a safe work environment and ensure product quality.



Flexible

Every biopharmaceutical production facility and country has its own specific regulations and requirements. The GSS P is a flexible solution and can be customized to meet your production needs.

Quality without compromise

The GSS P Series is our latest steam sterilizer built on experience and customer insights. It is optimized to meet the core functionality and flexibility needed in a modern biopharmaceutical production environment.

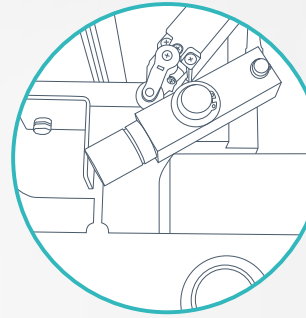
The GSS P is engineered with high-quality components to enhance contamination control, secure a safe process, promote best practices and deliver reliable outcomes and high throughput. Construction and design from sanitary stainless steel surfaces to enhanced ergonomic interfaces, are carefully integrated into a high performing solution critical to quality assurance.

GSS P is designed for easy use and integration in any biopharmaceutical production flow.

It is engineered to reduce your eco-footprint, optimizing energy and water use with efficient insulation and minimal mass of pressure vessel.

The GSS P can swiftly be put into operation thanks to the advanced Quality Process Management System that secures ease of validation and compliance to the intent of the Good Automation System (GAMP5) and ensures fulfillment of global and local regulations.

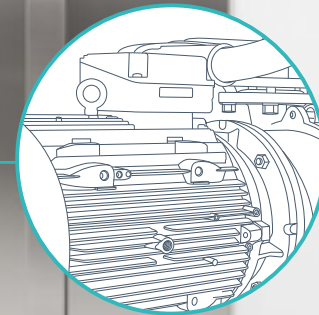
Ergonomic automatic doors for safety and convenience.



User-friendly display and intuitive HMI for quick, easy use.



High performance liquid ring vacuum pumps for optimal air removal and short process time.



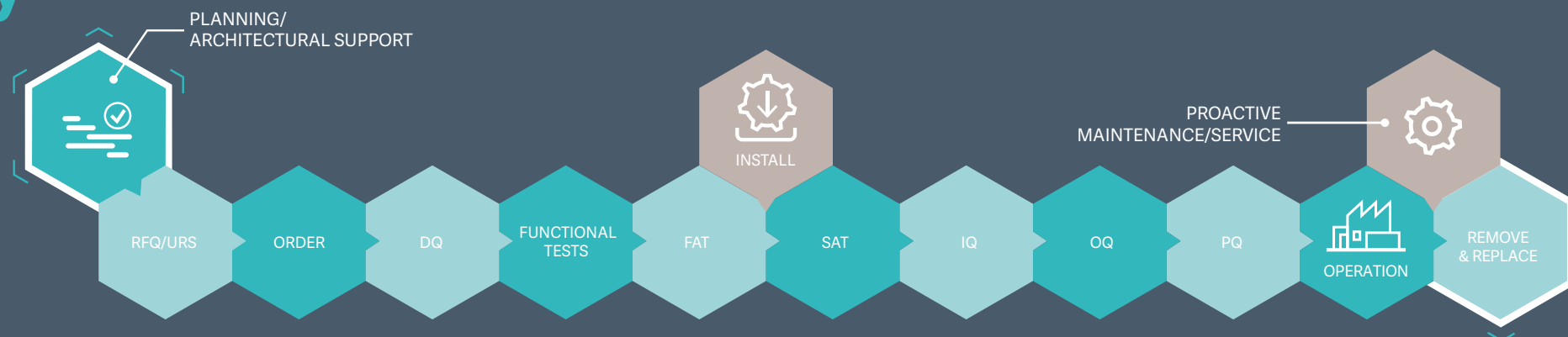
Sanitary stainless steel components are the foundation of reliable piping systems.



With you every step of the way

Our commitment goes far beyond supplying equipment. We support you with project planning and setting the right specifications and requirements.

Our experience in manufacturing, installation and commissioning allows us to manage the project from start to finish. When in operation, proactive maintenance secures your uptime. In short – we are with you every step of the way.



Examples of core features:

- Program combination adapted for biopharma applications
- Intuitive and user-friendly HMI
- User and password management
- GAMP5 project execution
- GMP design and documentation
- Uniform temperature distribution and accurate process control
- Air removal by highly efficient liquid ring vacuum pump
- ECO-system, recirculation of vacuum pump sealing water
- Diaphragm sealed instruments in process system
- Sanitary stainless steel process piping
- Stainless steel chamber construction
- Robot welded and highly polished chamber
- Ergonomic and safe machine handling

Designed for flexibility

GSS P Steam Sterilizers come in a range of 17 different chamber sizes with a flexible set of options and customization possibilities.

With a standard GSS P range for core functionality – and usable chamber capacities ranging from 10 to 400 ft³/ 0.4 to 9 m³ – the built-in flexibility of the GSS P allows for customization. Working closely together with you, we design a contamination prevention solution that suits your specific needs.

Examples of configuration options:

- Single-door or double-door, pass-through models
- Floor or pit-mounted
- Right or left side service access
- Cross contamination barrier (CCB) for integration in building
- Door interlock to prevent cross contamination for barrier pass through models
- Integral steam generator options
- In-situ filter integrity test (WIT)
- Process for liquids in open or closed containers
- Jacket cooling with water recirculation
- Network connectivity/SCADA
- Data integrity/21CFR Part 11
- Printer for batch reports
- Loading equipment: trolleys, shelves and racks



A legacy of engineering

All our steam sterilizers are developed and manufactured in Getinge, Sweden, where it all started in 1904. Since then we have grown to a global company, but still keep the core of our manufacturing close by to ensure quality and control. We take pride in our engineering and give full attention to detail.

Our processes are constantly updated with new technology in full compliance with changing regulations. When visiting our state-of-the-art factory, with a production area of 16,200 m², you find the latest welding robots working side by side with engineers and technical experts with welding qualifications applicable to a global market. All production facilities are certified to ISO 9000 and ISO 14000 standards. We work consciously with our manufacturing and supply chain to reduce environmental impact.



GSS P SERIES STEAM STERILIZERS FOR BIOPHARMA

Service without borders – you can count on our commitment

A service agreement with Getinge gives you peace of mind. Our global service network provides expert preventive, predictive and reactive maintenance to help you maximize uptime and safety – and to keep your operations running smoothly.

A good relationship is built on trust and we are committed to serving your needs wherever you are in the world.

With our Service Team by your side, you are ready to meet the requirements of accrediting organizations and government regulatory agencies.

Our services include:

- Spare parts packages
- Calibration services
- Upgrade packages
- Operator and technician training
- Process verification
- Validation services



Learn more about our solutions:
www.getinge.com/biopharma

GSS P SERIES STEAM STERILIZERS FOR BIOPHARMA



Getinge is a global provider of innovative solutions for operating rooms, intensive care units, sterilization departments and for life science companies and institutions. Based on our firsthand experience and close partnerships with clinical experts, healthcare professionals and medtech specialists, we are improving everyday life for people – today and tomorrow.

Contact · Getinge Infection Control AB · P. O. Box 69 · SE-305 05 Getinge · Sweden · Phone: +46 (0) 10 335 00 00
E-mail: info@getinge.com

www.getinge.com