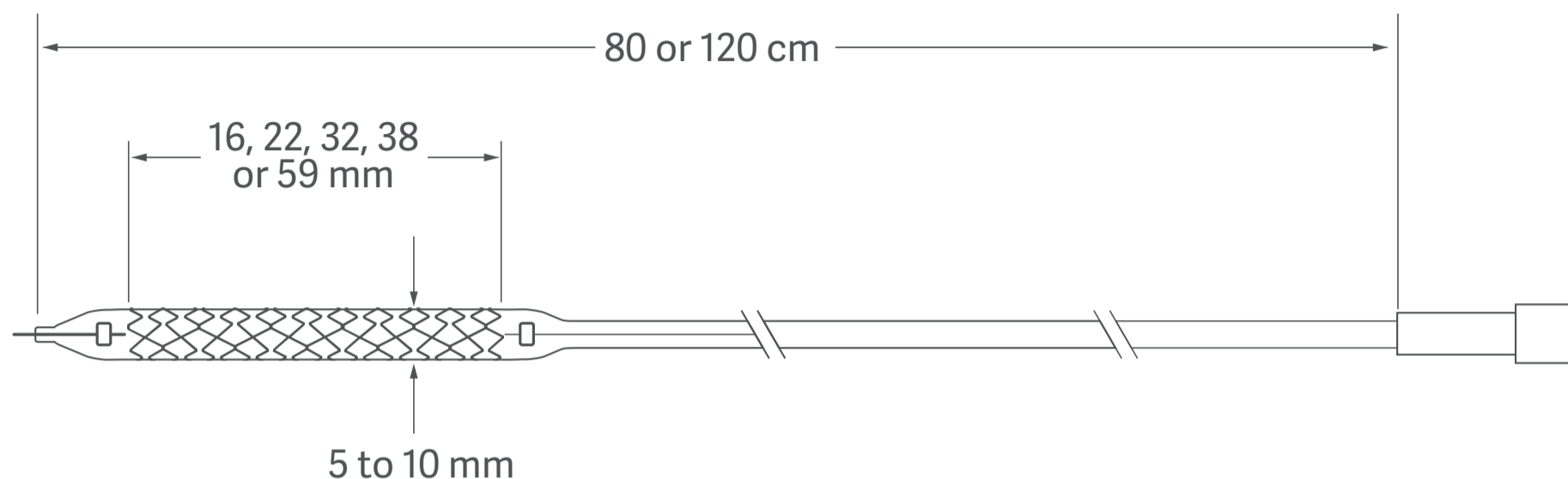


# Advanta V12

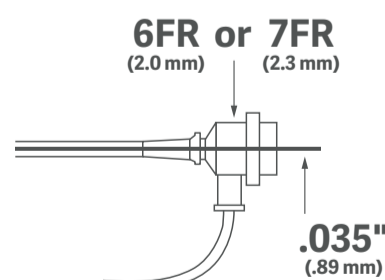
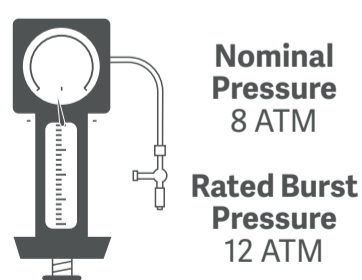
## Balloon expandable covered stent

### Specifications



### Advanta V12 5-10 mm, .035" Guidewire

Stent Diameter/Length	Order Number 80 cm Catheter Length	Order Number 120 cm Catheter Length	Foreshortened Length		Stent Post Deployment Outer Diameter		Expanded Balloon Outer Diameter		Introducer Compatibility
			8 ATM Nominal Pressure	12 ATM Rated Burst Pressure	8 ATM Nominal Pressure	12 ATM Rated Burst Pressure	8 ATM Nominal Pressure	12 ATM Rated Burst Pressure	
5 x 16 mm	85340	85350	15.9 mm	15.6 mm	4.9 mm	5.2 mm	5.1 mm	5.3 mm	6 Fr
5 x 22 mm	85341	85351	21.3 mm	21.0 mm	4.9 mm	5.2 mm	5.1 mm	5.3 mm	6 Fr
5 x 32 mm	85388	85394	32.3 mm	32.3 mm	5.0 mm	5.3 mm	5.1 mm	5.3 mm	7 Fr
5 x 38 mm	85320	85330	37.2 mm	37.7 mm	5.1 mm	5.3 mm	5.1 mm	5.3 mm	7 Fr
5 x 59 mm	85321	85331	58.6 mm	60.0 mm	5.0 mm	5.3 mm	5.1 mm	5.3 mm	7 Fr
6 x 16 mm	85342	85352	15.7 mm	15.1 mm	5.7 mm	6.2 mm	6.1 mm	6.3 mm	6 Fr
6 x 22 mm	85343	85353	20.8 mm	20.2 mm	5.8 mm	6.2 mm	6.1 mm	6.3 mm	6 Fr
6 x 32 mm	85389	85395	31.7 mm	31.5 mm	5.9 mm	6.3 mm	6.1 mm	6.3 mm	7 Fr
6 x 38 mm	85322	85332	36.6 mm	37.0 mm	6.0 mm	6.3 mm	6.1 mm	6.3 mm	7 Fr
6 x 59 mm	85323	85333	57.8 mm	58.7 mm	6.0 mm	6.3 mm	6.1 mm	6.3 mm	7 Fr
7 x 16 mm	85344	85354	15.0 mm	14.2 mm	6.9 mm	7.3 mm	7.1 mm	7.3 mm	7 Fr
7 x 22 mm	85345	85355	20.1 mm	19.4 mm	6.9 mm	7.3 mm	7.1 mm	7.3 mm	7 Fr
7 x 32 mm	85390	85396	31.3 mm	31.2 mm	6.9 mm	7.3 mm	7.1 mm	7.3 mm	7 Fr
7 x 38 mm	85324	85334	35.8 mm	35.7 mm	6.9 mm	7.3 mm	7.1 mm	7.3 mm	7 Fr
7 x 59 mm	85325	85335	57.1 mm	57.5 mm	7.0 mm	7.3 mm	7.1 mm	7.3 mm	7 Fr
8 x 32 mm	85391	85397	30.0 mm	29.6 mm	7.9 mm	8.4 mm	8.2 mm	8.5 mm	7 Fr
8 x 38 mm	85326	85336	34.7 mm	34.7 mm	8.1 mm	8.5 mm	8.2 mm	8.5 mm	7 Fr
8 x 59 mm	85327	85337	56.0 mm	56.5 mm	8.0 mm	8.4 mm	8.2 mm	8.5 mm	7 Fr
9 x 32 mm	85392	85398	28.7 mm	29.2 mm	8.9 mm	9.3 mm	9.1 mm	9.4 mm	7 Fr
9 x 38 mm	85328	85338	33.7 mm	32.7 mm	8.9 mm	9.3 mm	9.1 mm	9.4 mm	7 Fr
9 x 59 mm	85329	85339	54.6 mm	54.0 mm	8.9 mm	9.3 mm	9.1 mm	9.4 mm	7 Fr
10 x 38 mm	85360	85364	30.8 mm	30.9 mm	10.0 mm	10.4 mm	10.2 mm	10.5 mm	7 Fr
10 x 59 mm	85361	85365	53.3 mm	52.5 mm	9.9 mm	10.3 mm	10.2 mm	10.5 mm	7 Fr



Advanta V12 is CE approved for restoring and improving patency of iliac and renal arteries. Renal approval is for 5-7mm sizes. Advanta V12 has Canadian Health Ministry approval for restoring the patency of iliac lesions.

Advanta V12 balloon expandable covered stent is manufactured by Atrium Medical Corporation / 40 Continental Blvd., Merrimack, NH 03054 / Tel. (603) 880-1433 • Protected by the following international and U.S. patent(s): <http://patents.maquet.com>. • Getinge, GETINGE, and Atrium are trademarks or registered trademarks of Getinge AB, its subsidiaries or affiliates in the United States or other countries • Getinge and Atrium are registered with the U.S. Patent and Trademark Office. • Copyright 2018 Atrium Medical Corp. • All rights not expressly granted are reserved. • Refer to Instructions for Use for current indications, warnings, contraindications, and precautions. • Printed in U.S.A. • 03/18 • PN 010946 Rev AC

Getinge • 40 Continental Blvd • Merrimack, NH 03054 • USA • Tel. (603) 880-1433

For more information visit [www.getinge.com](http://www.getinge.com)

