

Document id: GD9490

Product Information IC – Cleaning & Disinfection

Method to reprocess expiratory cassettes for Getinge SERVO in Washer-Disinfectors

Since the outbreak of the COVID-19 virus we have received several questions how to clean and disinfect the Getinge SERVO ventilator expiratory cassettes in a Getinge Washer-Disinfector (WD), and what type of accessories to be used etc.

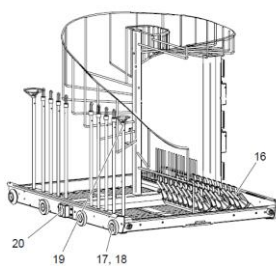
This is normally done in any of the Anesthesia (AN) wash carts for the 46- and 86/88-series WD's, see pictures below. To further enable our customers to use this capability, we now include the existing Getinge OP wash carts that is likely to be available at our customers. Instructions how those can be adapted in the field are explained later in this document.

Test has been carried out to ensure we are below the maximum allowed water flow and pressure conditions stated in the IFU from the manufacturer of the Getinge SERVO ventilators. For other brands, please consult with the manufacture of the ventilators before use.

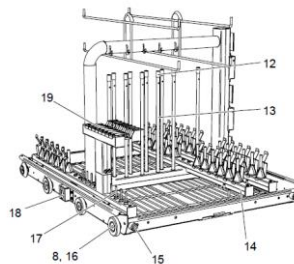
We have identified three different options for reprocessing ventilator expiratory cassettes for SERVO- I/S, U, N and air. All alternatives requires a reusable Anesthesia hose or similar with connector (ISO 5356-1:2015) to connect at the 22mm expiratory cassette port. Note! The hose needs to be compatible with the cleaning agent and the temperature of 90°C (194°F)

1. Anesthesia AN wash cart for 46- and 86/88-series; spiral model
2. Anesthesia AN wash cart for 46- and 86/88-series; AN-30 model with or without cassette system
3. OP wash carts for 46- and 86/88-series (models with connections ports at the water manifold)

1. AN Spiral wash cart



2. AN-30 wash cart



3. OP wash cart

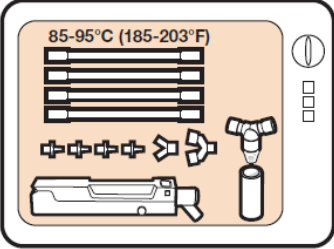


Extract from IFU - SERVO

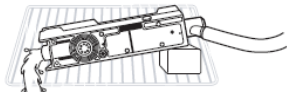
Note! Important to follow the IFU from ventilator manufacturer in terms of position, water connection, flow and pressure.

See extract from the User Manual (UM) and Instruction for Use (IFU) for the SERVO regarding placement of the cassettes during automated process in a washer-disinfector.

Washer-Disinfector



Position and flow



Note.

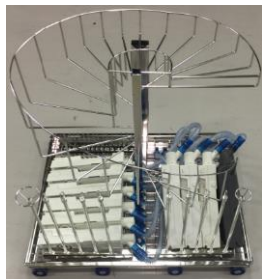
- The water pressure in the washer-disinfector should not exceed 1.5 bar.
- The maximum water flow should not exceed 10 l/min.
- The water must have free passage through the cassette.

Getinge wash carts with load examples and specifications

WD model	Water flow		Water pressure
	AN wash cart	OP wash cart	
46-series	<10 L/min	<10 L/min	<1 bar
86/88-series	<10 L/min	<10 L/min	<1 bar

Different loading examples with Getinge wash carts

AN Spiral



AN-30



OP wash cart, connected to manifold



When using an OP wash cart one or more spray wing needs to be removed depending of the type of wash cart (number of shelves). Connection to the water manifold has to be adapted locally, or by use of the Getinge spare parts from the picture on the next page. Same parts can be used for 46- and 86-series OP wash carts. Maximum one cassette per manifold outlet.

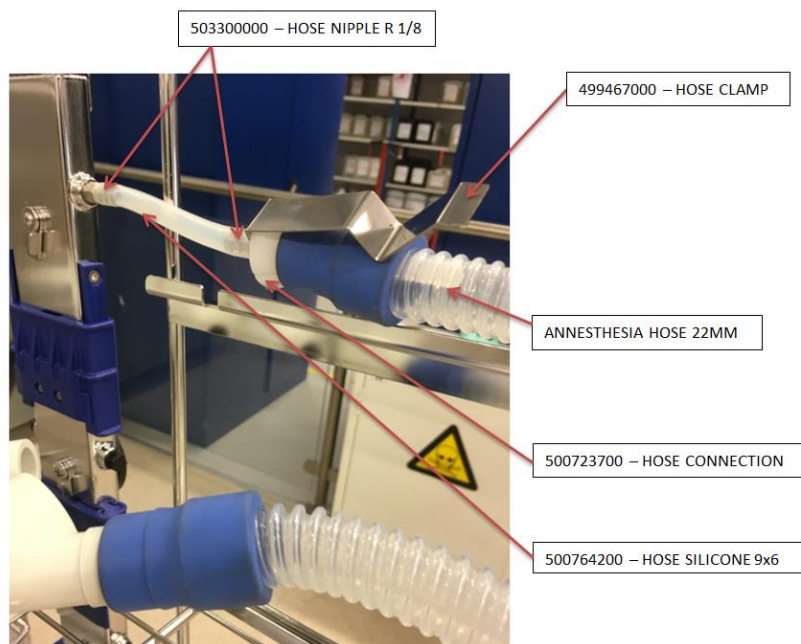


Note! The correct placement and tilting of the cassettes is important to enable efficient drainage and protect the electronics.

WD model	Maximum number of Expiratory cassettes per load		
	AN spiral wash cart	AN-30 wash cart	OP wash cart
46-series	6-8*	6-8*	6
86/88-series	6-10*	6-10*	6

* The pictures shows the use of an instrument tray as support to enable the correct tilting, this reflects the lower numbers of cassettes per load.

Example of parts used together with OP wash carts for 46- and 86-series



Process parameters used together with 46- and 86-series

The recommended detergent is a neutral mild alkaline or enzymatic, e.g. Getinge Clean Universal or Getinge Clean Neutrawash (North America detergent portfolio).

Select a program or process that conduct minimum following process parameters:

Process (phases) in the Washer-Disinfector	Water	Temp. °C/°F	Duration minutes
Pre-rinse	Cold	≤20/68	≥1
Wash	blended	≤60/140*	≥3
Post rinse (intermediate rinse)	Hot	≥50/122	≥1
Disinfection (final rinse)	DiW**	90/194	≥1

* According to the specification of the selected detergent

** No rinse aid or lubrication

Hope you find this information helpful!

Best Regards

Marcus Samuelsson

Product Manager, Cleaning & Disinfection, Surgical Workflow